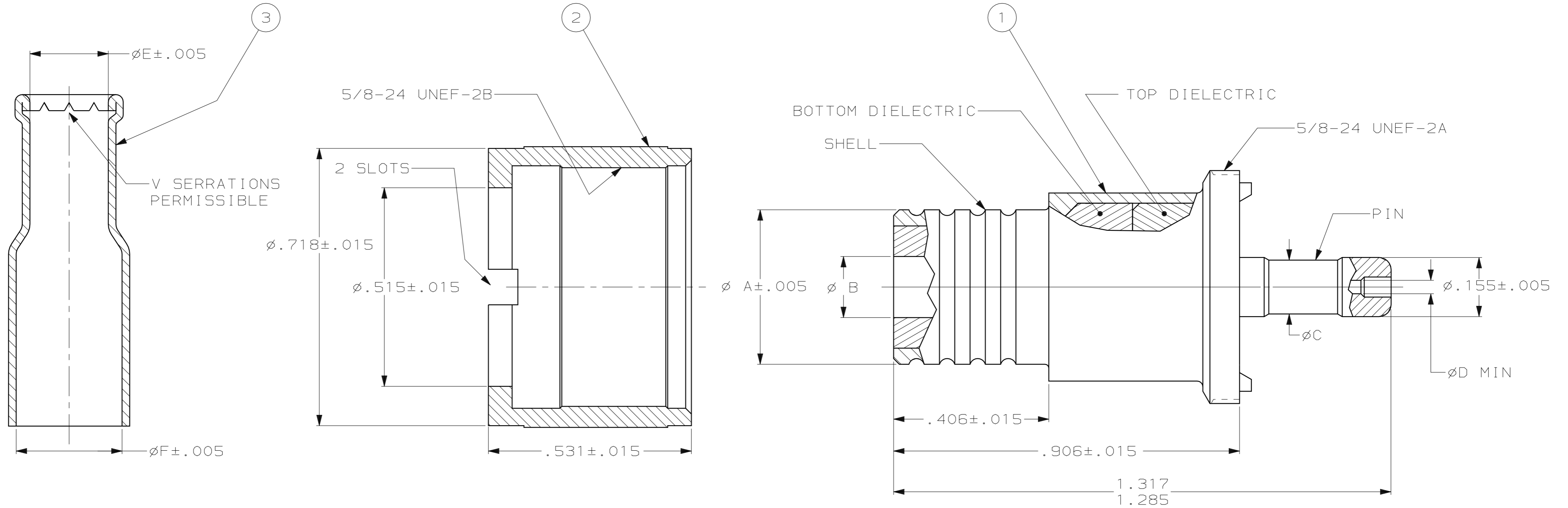


THIS DRAWING IS UNPUBLISHED. RELEASED FOR PUBLICATION
 BY AMP INCORPORATED. ALL RIGHTS RESERVED.

LOC	DIST	REVISIONS					
AJ	16	P	LTR	DESCRIPTION	DATE	DWN	APVD
		AH		REV PER EC 0514-0453-04	170CT05	TS	GM

1. BELDEN 8279 & AMPHENOL 621-186.



OBSOLETE	-	-	-	-	-	-	-	-	-	-	-	-	-	-	4-330830-0
OBSOLETE	-	-	-	-	-	-	-	-	-	-	-	-	-	-	3-330830-9
OBSOLETE	-	-	-	-	-	-	-	-	-	-	-	-	-	-	3-330830-8
OBSOLETE	-	-	-	-	-	-	-	-	-	-	-	-	-	-	3-330830-6
OBSOLETE	-	-	-	-	-	-	-	-	-	-	-	-	-	-	3-330830-5
OBSOLETE	-	-	-	-	-	-	-	-	-	-	-	-	-	-	3-330830-4
OBSOLETE	-	-	-	-	-	-	-	-	-	-	-	-	-	-	3-330830-3
OBSOLETE	-	.875	.448	.425	.088	-	.295	.405	BELDEN 8214	330915	330914	2-330913-8	-	-	3-330830-1
OBSOLETE	-	-	-	-	-	-	-	-	-	-	-	-	-	-	3-330830-0
OBSOLETE	-	-	-	-	-	-	-	-	-	-	-	-	-	-	2-330830-9
OBSOLETE	-	-	-	-	-	-	-	-	-	-	-	-	-	-	2-330830-8
OBSOLETE	-	-	-	-	-	-	-	-	-	-	-	-	-	-	2-330830-7
OBSOLETE	-	-	-	-	-	-	-	-	-	-	-	-	-	-	2-330830-6
	.705 OZ	.875	.277	.205	.057	.141	.130	.233	RG-58/U	2-330915-2	330914	2-330913-3	-	-	2-330830-4
OBSOLETE	-	-	-	-	-	-	-	-	-	-	-	-	-	-	2-330830-3
OBSOLETE	.705 OZ	.875	.340	.340	.034	.141	.215	.262	WE-724, BELDEN 8281	2-330915-1	330914	2-330913-1	-	-	2-330830-2
	-	.875	.448	.425	.088	-	.295	.405	RG-8, RG-8A, RG-213/U	330915	330914	330913	-	-	330830
WEIGHT	G	F	E	D	C	B	A		CABLE SIZE	FERRULE QTY=1	COLLAR QTY=1	PLUG ASSY QTY=1			PART NUMBER

ITEM	MATERIAL AND FINISH
1	COPPER PER QQ-C-576 SILVER PL PER QQ-S-365 .0002 MIN. EXT THK.
2	BRASS PER QQ-B-626 SILVER PL PER QQ-S-365 .0002 MIN. EXT THK.
3	PIN: BRONZE PER ASTM-B-140 SILVER PL PER QQ-S-365 .0002 MIN. EXT THK. DIELECTRIC, TOP & BOTTOM: POLYPROPYLENE (GENERAL PURPOSE) SHELL: BRASS PER QQ-B-626 SILVER PL PER QQ-S-365 .0002 MIN. EXT THK.

THIS DRAWING IS A CONTROLLED DOCUMENT.

DWN M. O'BRINE 15DEC99
 CHK J. HAVENER 15DEC99
 APVD J. HAVENER 15DEC99

AMP AMP Incorporated
 Harrisburg, PA 17105-3608

COAXICON CONNECTOR UHF PLUG

SIZE: A2 CAGE CODE: 00779 DRAWING NO: 330830 RESTRICTED TO: -
 SCALE: NTS SHEET: 1 OF 1 REV: AH

CUSTOMER DRAWING